

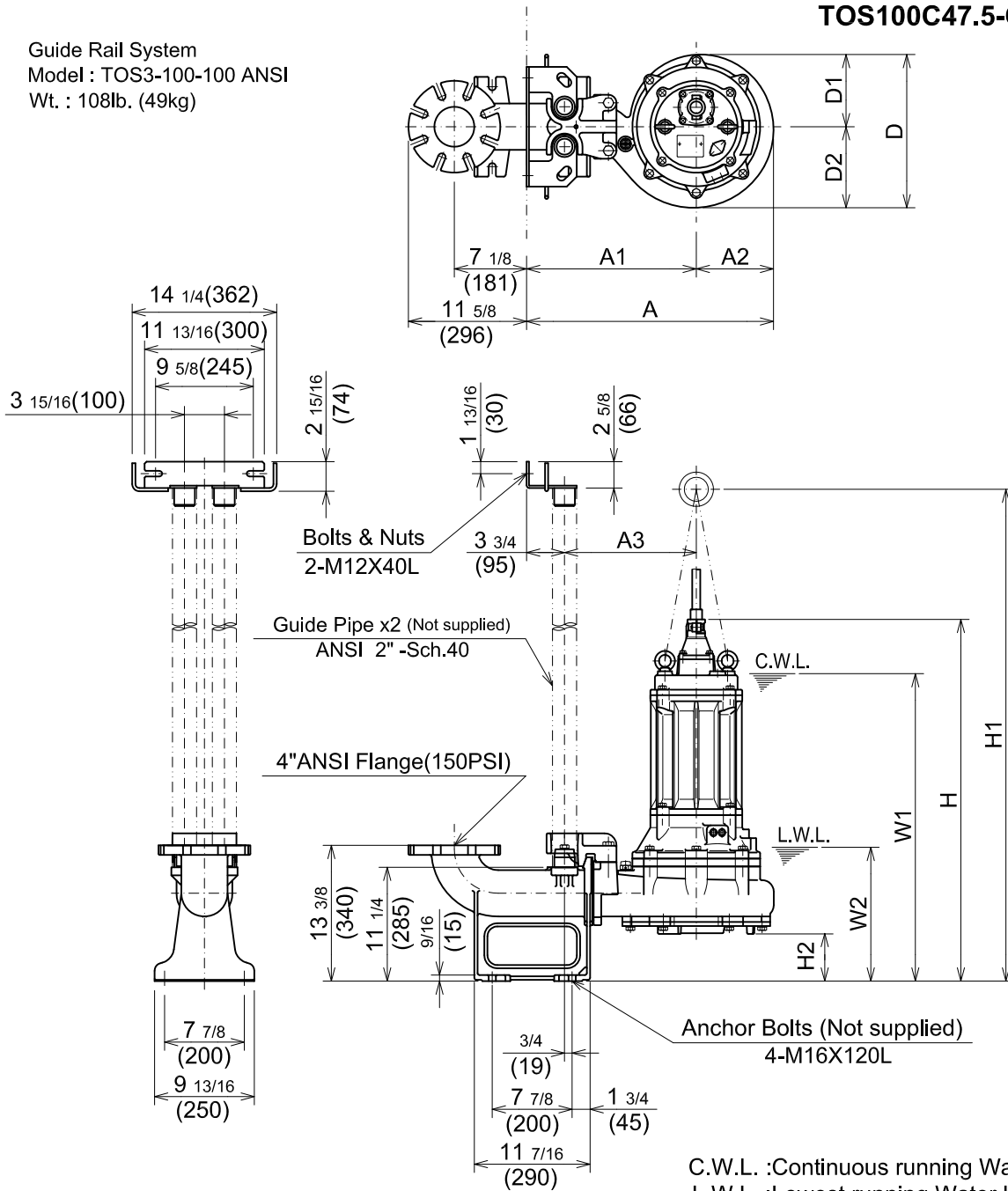


C-SERIES
CUTTER - TYPE - SEWAGE & WASTEWATER PUMPS

DIMENSIONS

TOS100C45.5-CR -63
TOS100C47.5-CR -63

Guide Rail System
Model : TOS3-100-100 ANSI
Wt. : 108lb. (49kg)



C.W.L. :Continuous running Water Level
L.W.L. :Lowest running Water Level

DIMENSIONS:USCS(Inch)

Model	HP	NOM. SIZE	Pump & Motor										C.W.L. W1	L.W.L. W2	*Wt. (lbs.)
			A	A1	A2	A3	D	D1	D2	H	H1	H2			
TOS100C45.5-CR -64	7.5	4"	24 3/8	16 3/4	7 5/8	13	15 1/8	7 1/8	8	35 11/16	48 3/4	4 5/8	30 1/2	13 1/4	293
TOS100C47.5-CR -64	10	4"	24 3/8	16 3/4	7 5/8	13	15 1/8	7 1/8	8	36 1/2	50 1/4	4 5/8	31 1/2	13 1/4	335

DIMENSIONS:METRIC(mm)

Model	kW	NOM. SIZE	Pump & Motor										C.W.L. W1	L.W.L. W2	*Wt. (kg)
			A	A1	A2	A3	D	D1	D2	H	H1	H2			
TOS100C45.5-CR -64	5.5	100	619	425	194	330	384	181	203	906	1237	118	775	335	133
TOS100C47.5-CR -64	7.5	100	619	425	194	330	384	181	203	927	1275	118	800	335	152

*Excluding TOS & Cable.